

# LOW PROFILE LOAD CELL FOR HIGH ACCURACY SILO, TANK & VESSEL WEIGHING

*capacities 10t - 30t*



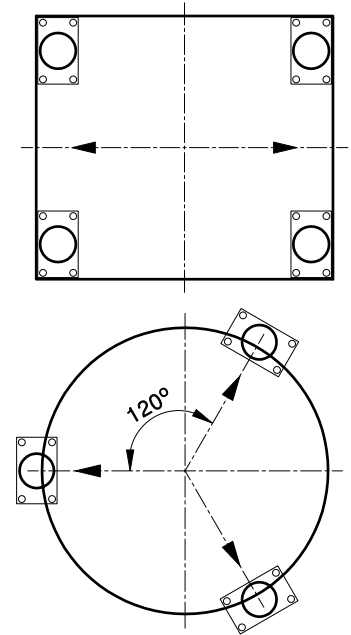
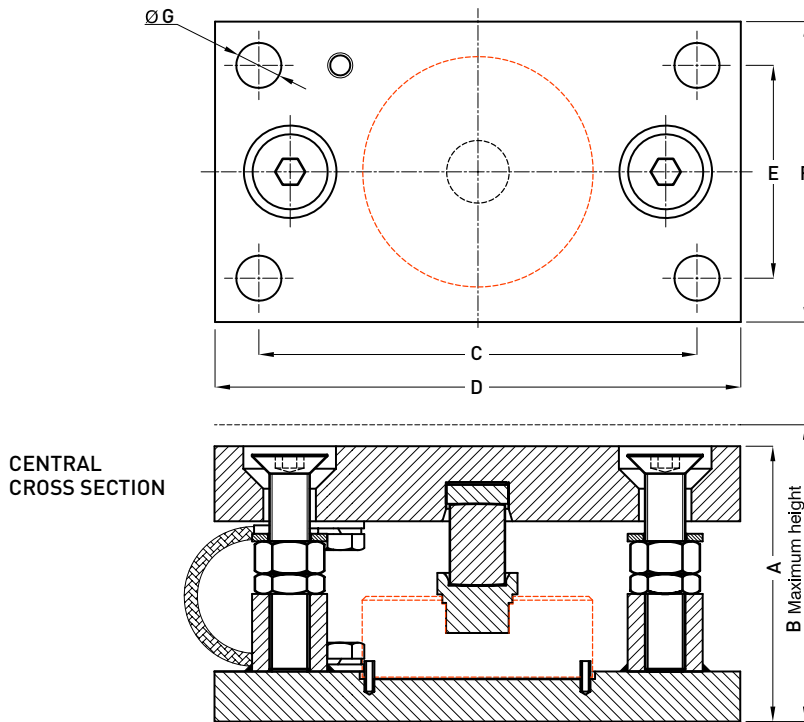
Vessel weighing problems solved simply and cost effectively. The T21 load cell is specifically designed to allow for the accurate weighing of tanks, silos and vessels in harsh industrial environments where high pressure, high temperature water jet cleaning is used - for example in the food and pharmaceutical industries.

The loading assembly provides a compact solution that is ideal for use in industrial environments. The integrated jacking facility allows the loading assembly to be installed in the raised position, without the load cell present, preventing accidental damage to the load cell.

- Stainless steel compression load sensor
- Fully welded and hermetically sealed construction to IP68 / IP69K
- Allows for vessel expansion and contraction without affecting the load cell accuracy
- Integral jacking facility
- Assembly can be installed without load cell
- Low profile, compact stainless steel loading assembly
- Integral lift off prevention
- Allowance for angular mis-alignment
- 5 year warranty
- Durable and chemical resistant polyurethane cable

# T21

technical specification...



## T21 Load Cell

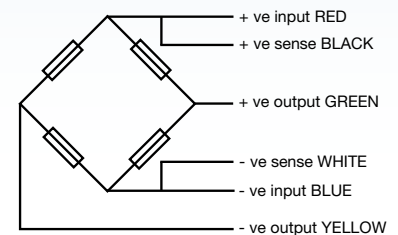
	Load cell specification	Units
Load Cell Capacities	10, 20, 30	t
Full Load Output	2.0 +/- 0.1%	mV/V
Excitation Recommended	10	V
Excitation Maximum	15	V
Safe Service Load	150	%*
Ultimate Load	300	%*
Maximum Lift-Off	40	%*
Combined Error	< +/- 0.02	%*
Repeatability	< +/- 0.015	%*
Output at Zero Load	+/- 2.0	%*
Input Resistance	1065	$\Omega$ +/- 60
Output Resistance	1050	$\Omega$ +/- 10
Operational Temperature Range	-30 to +70	$^{\circ}\text{C}$
Compensated Temperature Range	-10 to +40	$^{\circ}\text{C}$
Temperature Coefficient on Zero	< +/- 0.002	%* / $^{\circ}\text{C}$
Temperature Coefficient on Span	< +/- 0.002	%* / $^{\circ}\text{C}$
Environmental Protection	IP68 / IP69K	
Insulation	> 5000	M $\Omega$ @ 100V
Cable Length	20	m

\*All percentages are related to Full Rated Load

## Dimensions

Range (t)	10	20, 30
A	110	148
B	118.5	159.5
C	175	208
D	210	245
E	85	115
F	120	150
G	18	24

Dimensions in mm



## Electrical Connections

Via 6 wire, 5.7mm diameter, screened polyurethane cable.

Screen not connected electrically to load cell.

DISTRIBUTED BY:



## THAMES SIDE SENSORS LTD

Unit 10, io Trade Centre, Deacon Way, Reading, Berkshire RG30 6AZ

tel: +44 (0) 118 941 1387

fax: +44 (0) 118 941 2004

sales@thames-side.co.uk

www.thames-side.com



Issue: T21.03.14

Our policy is one of continuous product enhancement. We therefore reserve the right to incorporate technical modifications without prior notification.