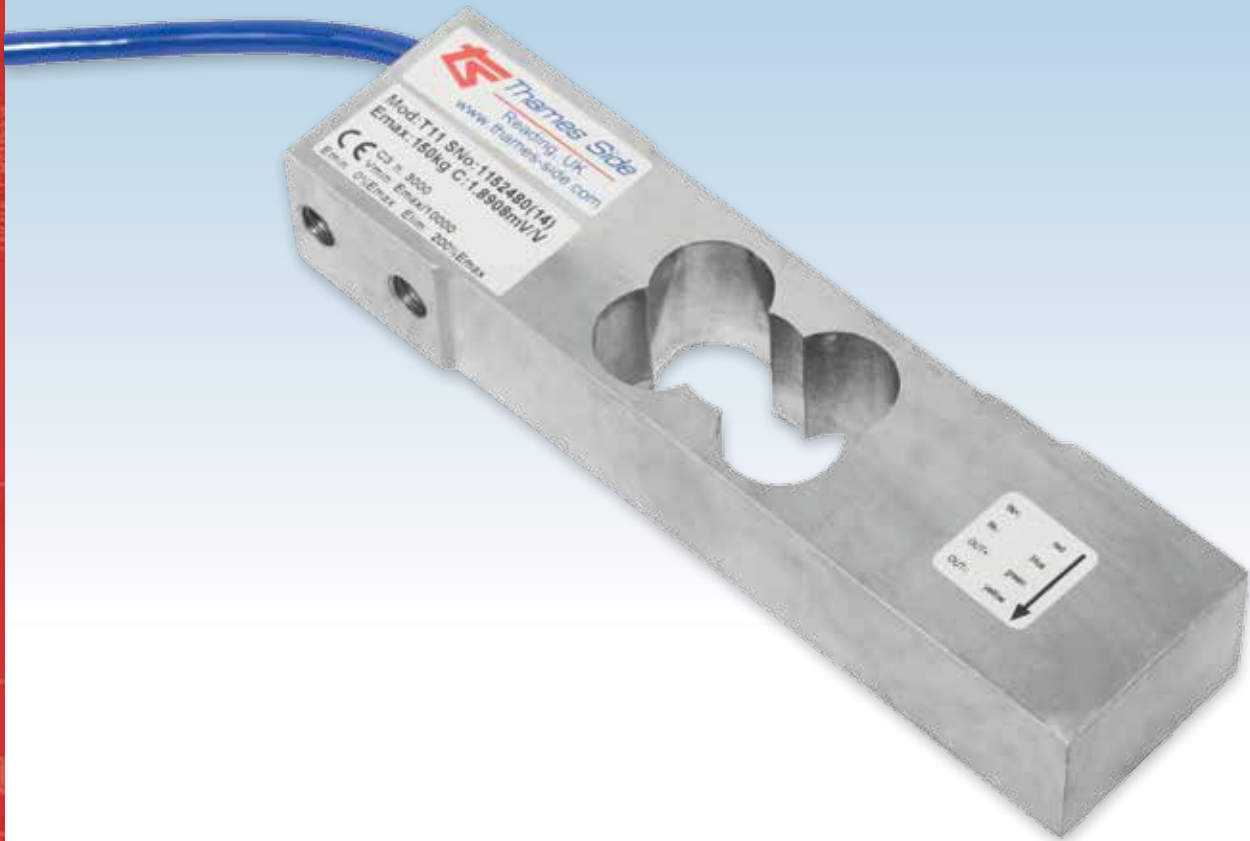


SINGLE POINT LOAD CELL

capacities 15kg - 150kg



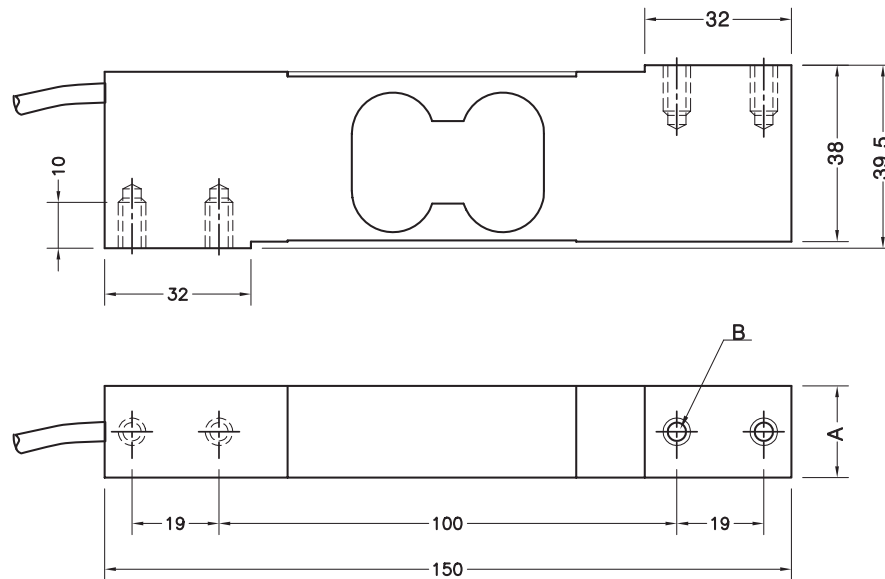
This double bending beam single point load cell is manufactured from high quality alloy steel and nickel plated. Its design allows for high accuracy weigh measurement with off-centre loads and it's potted and sealed to IP66.

Typical applications include: single point platforms up to 500x500mm in size, small buckets and hoppers supported by a single load cell, small bagging and dosing machines, filling scales and checkweighers.

- Nickel plated alloy steel load sensor
- Potted and silicone sealed to IP66
- 3000 divisions OIML R60 Class C
- 5 year warranty
- 500 x 500mm max. platform size (with load cell placed centrally under platform)
- High durability PU cable

T11

technical specification...



T11 Load Cell

	Load cell specification	Units
Load Cell Capacities	15, 20, 30, 50, 75, 100, 150	Kg
Rated Output	2	mV/V +/- 10%
Accuracy Class	3000	n.OIML
Combined Error	< +/- 0.017	%*
Non-repeatability	< +/- 0.01	%*
Creep (30 minutes)	< +/- 0.016	%*
Temperature Effect on Zero Balance	< +/- 0.002	%* / °C
Temperature Effect on Span	< +/- 0.0012	%* / °C
Compensated Temperature Range	-10 to +40	°C
Operating Temperature Range	-20 to +70	°C
Safe Overload	150	%**
Ultimate Overload	200	%**
Zero Balance	< +/- 2	%*
Maximum Deflection at Nominal Capacity	0.3 to 0.5	mm
Input Resistance	400 +/- 20	Ω
Output Resistance	350 +/- 3	Ω
Insulation Resistance	> 5000	MΩ @ 100V
Recommended Supply Voltage	10	V
Maximum Supply Voltage	15	V
Environmental Protection	IP66	
Cable length	3	m
Nominal Shipping Weight (300 - 2000kg)	0.7	kg
Nominal Shipping Weight (3000 - 5000kg)	0.85	kg

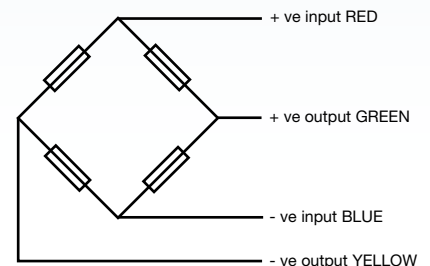
*With respect to rated load

** Only applies to central loads on the load cell. Not for off-centre loads.

Dimensions

Range (kg)	15 - 30	50 - 150
A	20	25
B	M6	M8

Dimensions in mm



Electrical Connections

Via 4 wire, 5.7mm diameter, screened polyurethane cable.

Screen not connected electrically to load cell.

DISTRIBUTED BY:



THAMES SIDE SENSORS LTD

Unit 10, io Trade Centre, Deacon Way, Reading, Berkshire RG30 6AZ

tel: +44 (0) 118 941 1387

fax: +44 (0) 118 941 2004

sales@thames-side.co.uk

www.thames-side.com



Issue: T11.03.14

Our policy is one of continuous product enhancement. We therefore reserve the right to incorporate technical modifications without prior notification.