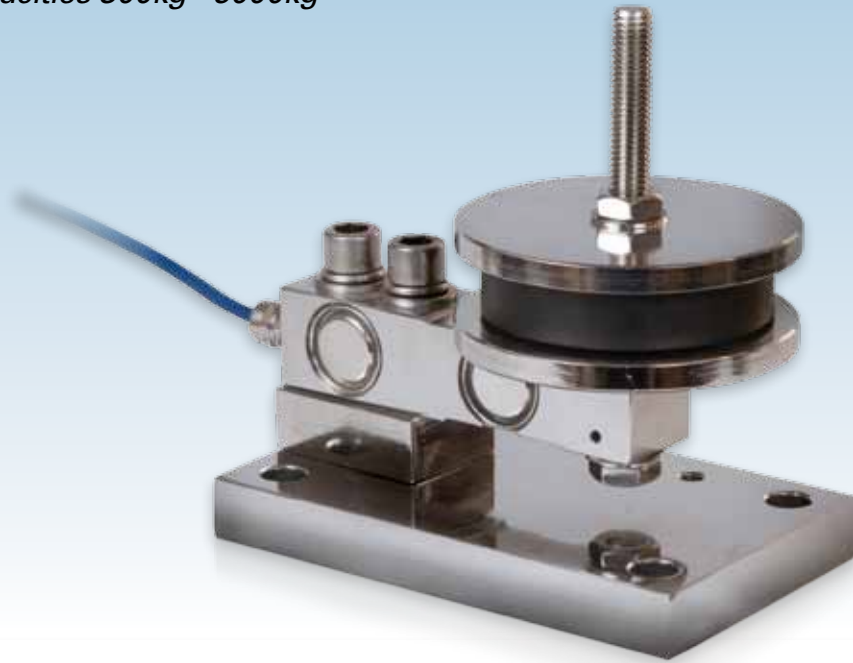


ANTI-VIBRATION MOUNTS FOR HARSH INDUSTRIAL ENVIRONMENTS

capacities 300kg - 5000kg




The fully welded stainless steel 350i load cells used in this anti-vibration mount are hermetically sealed to meet IP68 and IP69K and can be used in the harshest industrial environments.

These stainless steel mounts are suitable for weighing platforms, bag fillers, belt weighers and tank weighing in the Food Processing, Chemical, Pharmaceutical and general Bulk Handling industries.

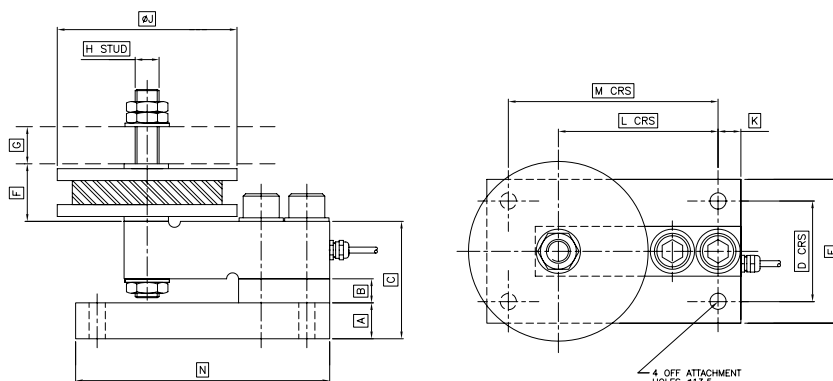
Available with intrinsically safe ATEX certification for use in both gas and dust zones. Certification for use in zones 20,21 and 22 without safety barriers is also available.

For applications in aggressive environments where stress corrosion or acid attack is an issue, a special parylene coating can be specified as an option, as can custom cable lengths for volume OEM customers.

- Stainless steel load sensor & mounting assembly
- Hermetically sealed, fully welded construction
- Ease of installation
- Sealed to IP68 / IP69K
- 3000 divisions OIML R60 Class C
- 5 year warranty
- High Integrity cable entry
- High durability PU cable
- Available in  version

LA350

technical specification...



Model LA350 ATEX Certification

Code	Temperature Class	Parameters	Application
II 1 GD Ex ia II C T4..T6 Ga IP68 T85°C Ex ia IIIC T135°C T85°C Da Ex ta IIIC T85°C Da	T4	Pi = 1.3W	Gas Zones 0, 1, 2 with safety barriers Dust Zones 20, 21, 22 without safety barriers
	T5	Pi = 0.8W	
	T6	Pi = 0.53W	

Dimensions

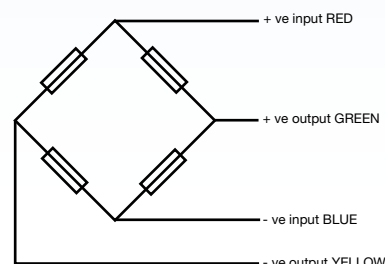
Range (kg)	300 - 2000	3000 - 5000
A	20	30
B	20	20
C	71.5	98
D	70	84
E	100	120
F	41	44
G	0-35	10-35
H	M12	M20
J	100	150
K	16	19
L	101.6	133.3
M	136	175
N	168	212

350i Load Cell

	Load cell specification	Units
Load Cell Capacities	300, 500, 750, 1000, 1500, 2000, 3000, 5000	Kg
Rated Output	2	mV/V +/-0.25%
Accuracy Class	3000	n.OIML
Combined Error	< +/- 0.017	%*
Non-repeatability	< +/- 0.015	%*
Creep (30 minutes)	< +/- 0.016	%*
Temperature Effect on Zero Balance	< +/- 0.002	%* / °C
Temperature Effect on Span	< +/- 0.0012	%* / °C
Compensated Temperature Range	-10 to +40	°C
Operating Temperature Range	-20 to +70	°C
Safe Overload	150	%*
Ultimate Overload	200	%*
Zero Balance	< +/- 2	%*
Input Resistance	400	Ω +/- 30
Output Resistance	350	Ω +/- 1.5
Insulation Resistance	> 5000	MΩ @ 100V
Recommended Supply Voltage	10	V
Maximum Supply Voltage	15	V
Environmental Protection	IP68 / IP69K	
Cable length	5	m
Cable Material	Polyurethane	
Nominal Shipping Weight (300 - 2000kg)	6.1	kg
Nominal Shipping Weight (3000 - 5000kg)	11.9	kg

*With respect to rated load

Dimensions in mm



Electrical Connections

Via 4 wire, 5.7mm diameter, screened polyurethane cable.
Screen not connected electrically to load cell.

Construction

Load Cell manufactured from 17-4PH stainless steel. Base and mount components manufactured from stainless steel.

DISTRIBUTED BY:



THAMES SIDE SENSORS LTD

Unit 10, io Trade Centre, Deacon Way, Reading, Berkshire RG30 6AZ

tel: +44 (0) 118 941 1387

fax: +44 (0) 118 941 2004

sales@thames-side.co.uk

www.thames-side.com



Issue: LA350.07.13

Our policy is one of continuous product enhancement. We therefore reserve the right to incorporate technical modifications without prior notification.

