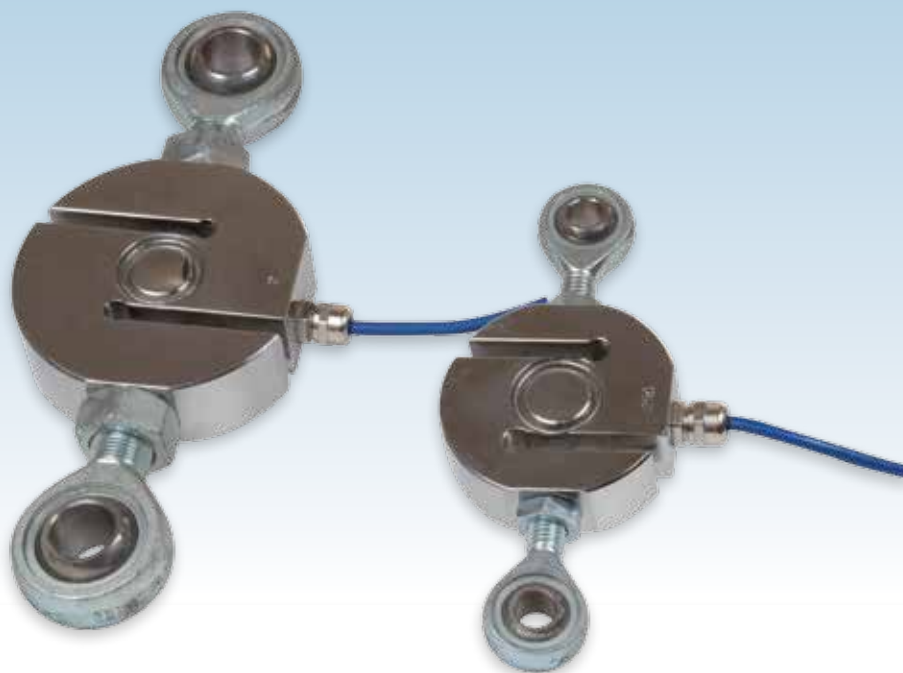


S-BEAM LOAD CELLS FOR COMMERCIAL WEIGHING

capacities 250kg - 7500kg



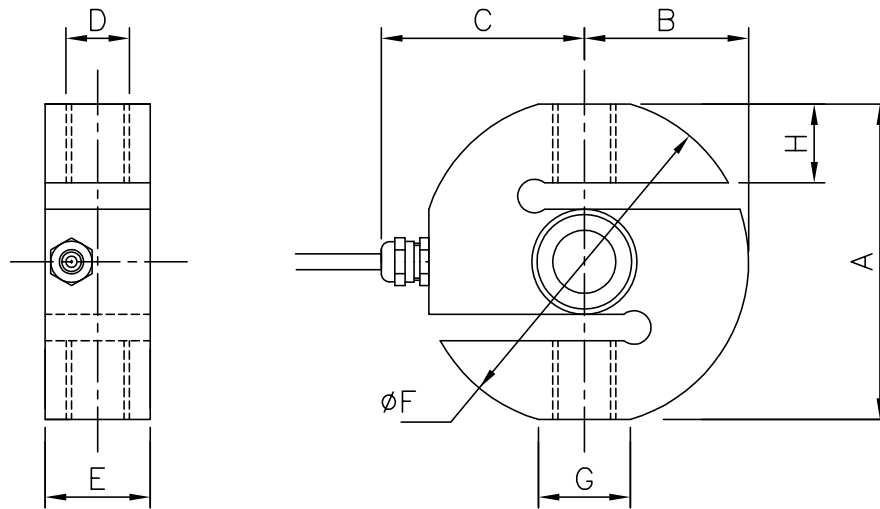
A range of Stainless steel "S" beam load cells for commercial weighing to OIML R60 3000 divisions. Welded construction ensures total environmental sealing coupled with excellent long term stability. A high temperature variant for operation in environments up to 150 °C is also available.

For applications in aggressive environments where stress corrosion or acid attack is an issue, a special parylene coating can be specified as an option

- Stainless steel load sensor
- 2.0mV/V rationalised output
- Sealed to IP68 / IP69K
- 5 year warranty
- Tension / compression
- Range of accessories available
- Excellent long term stability
- 3000 divisions OIML R60 class C
- High durability PU cable

650

technical specification...



650 Load Cell

	Load cell specification	Units	
Load Cell Capacities	250, 500, 1000, 2000, 5000, 7500	kg	
Rated Output	2.0 +/- 10%	mV/V	
Accuracy Class	3000**	n.OIML	
Excitation - Recommended	10	V	
Excitation - Maximum	15	V	
Safe Service Load	150	%*	
Ultimate Load	200	%*	
Combined Error	< +/- 0.017	%*	
Repeatability	< +/- 0.015	%*	
Output at Zero Load	< +/- 2.0	%*	
Input Resistance	400 +/- 20	Ω	
Output Resistance	350 +/- 3	Ω	
Operational Temperature Range	-40 to +95	°C	
Compensated Temperature Range	-10 to +55	°C	
Temperature Effect on Zero	< +/- 0.002	%* / °C	
Temperature Effect on Sensitivity	< +/- 0.0012	%* / °C	
Creep - 30mins at 20°C	< +/- 0.016	%*	
Environmental Protection	IP68 / IP69K		
Cable Length	5	m	
Cable Material	Polyurethane		
Insulation	>5000	MΩ	
Nominal Shipping Weight	250, 500kg	1	kg
	1000, 2000kg	2	kg
	5000kg	4	kg
	7500kg	5.5	kg

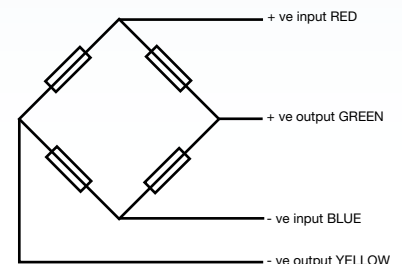
*All percentages are related to Fully Rated Load

** For capacity range 500 - 5000kg

Dimensions

Capacity (kg)	250 -500	1000 -2000	5000	7500
A	70	95	120	120
B	37.5	50	62.5	62.5
øC	50	60	72.5	72.5
D	M12	M20	M24	M24
	x 1.75P	x 1.5P	x 2P	x 2P
E	24.5	30	40	56
øF	75	100	125	125
G	26.9	31.2	35	35
H	15	26	30	30

All dimensions are in mm



Electrical Connections

Via 4 wire, 5.7mm diameter, screened polyurethane cable.

Screen not connected electrically to load cell.

DISTRIBUTED BY:



THAMES SIDE SENSORS LTD

Unit 10, io Trade Centre, Deacon Way, Reading, Berkshire RG30 6AZ

tel: +44 (0) 118 941 1387

fax: +44 (0) 118 941 2004

sales@thames-side.co.uk

www.thames-side.com



Issue: 650.09.14

Our policy is one of continuous product enhancement. We therefore reserve the right to incorporate technical modifications without prior notification.

