

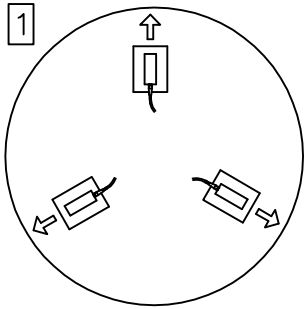
T95 LOAD CELL - INSTALLATION

A4/SK/20417 (2 Sheets)

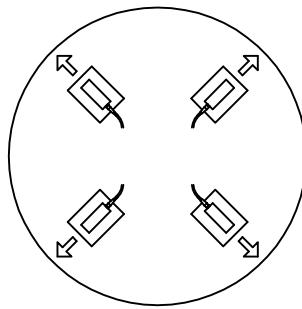
Thames Side Sensors

UNIT 10, io TRADE CENTRE, DEACON WAY, READING, BERKS. RG30 6AZ
Tel: +44 (0)1189 411 387 e-mail: sales@thames-side.co.uk

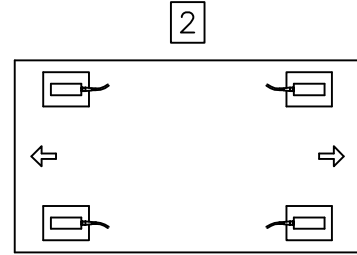
↔ Denotes Main Expansion



1
Circular Vessel.
3 Leg Supports and
3 Load Cell Assy's
OR
One Active Cell and
Two Dummy Cells.

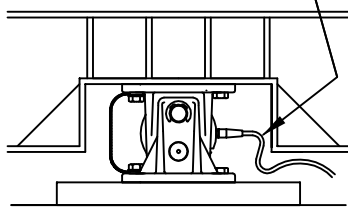


2
Square or Circular Vessel.
4 Leg Supports and
4 Load Cell Assy's
OR
Two Active Cells and
Two Dummy Cells.

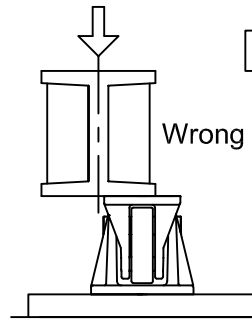


3
Horizontal Vessel.
4 Leg Supports and
4 Load Cell Assy's
OR
Two Active Cells and
Two Dummy Cells.

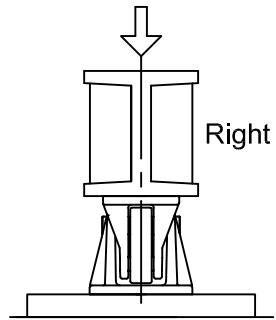
Ensure cable is not bent too tightly and damage cannot occur as a result of movement of the weighing system.



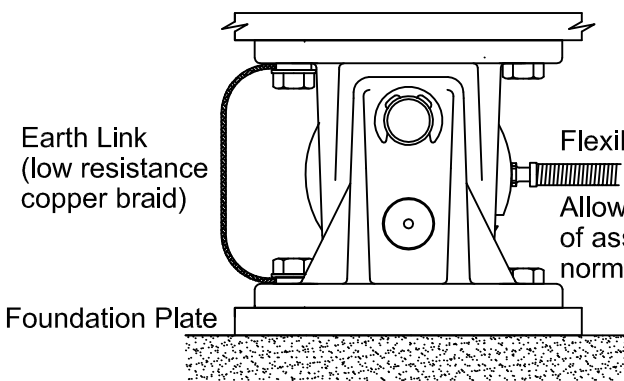
4



4

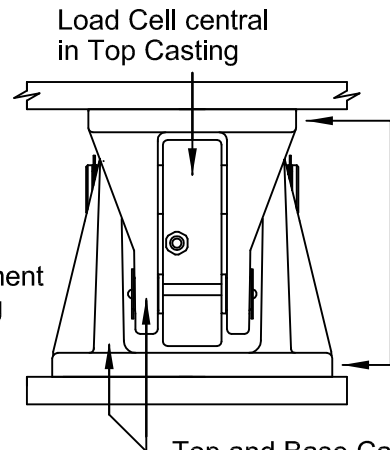


Right



Flexible Conduit
Allows free movement
of assembly during
normal operation.

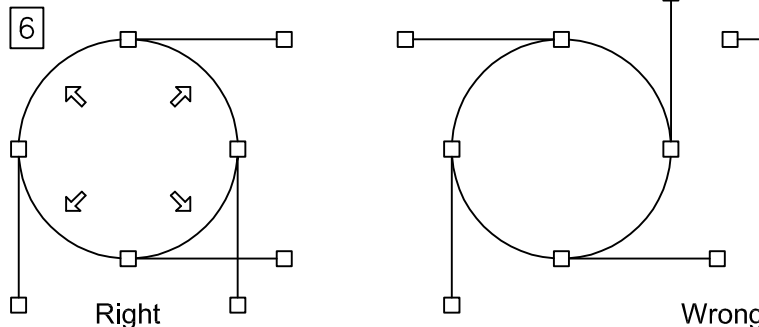
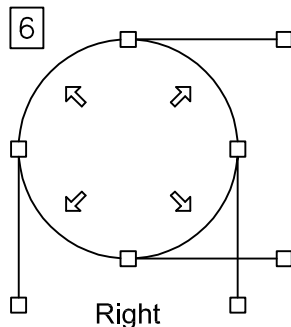
5



Top and Base
Castings should
be parallel.

Top and Base Castings

Tie Rods



Wrong